



PRODUCT SPECIFICATION

Manufacturer: Big Foot Systems

Product Name: HD Beams



Metal Framework:

- Hot dip galvanized carbon steel: BS EN 10219-1. Welding standard: BS EN ISO 15614-1.
- Galvanizing: BS EN ISO 1461.
- Salt mist testing: BS EN 60068-2-52.

Product Summary

AHU and Chiller support; heavy duty support frame

Product Description

The HD Beam enables units to be positioned directly over existing structural beams, so the load can be evenly distributed. Ideal for supporting heavy plants on steels spanning a larger area. A boxed kit complete with a pair of HD mounting clamps.

Features & Benefits

- Non-penetrative load management.
- Cost effective, pre-fabricated support system.
- Versatile modular frameworks.
- Rubber crumb foot mat for roof finish protection
- Quick to install, robust and secure.

Product Reference

Two adjustable height options; available in three foot sizes:

- **B9722**—Standard 305mm (12 1/64 in). Adjustable 300-360mm (11 13/16—14 11/64)
- **B9723**—Long stud 305mm (12 1/64 in). Adjustable 300-560mm (11 13/16—22 3/64)
- **B9423**—Standard 450mm (17 23/32 in). Adjustable 300-360mm (11 13/16—14 11/64)
- **B9690**—Long stud 450mm (17 23/32 in). Adjustable 300-560mm (11 13/16—22 3/64)
- **B9373**—Standard 600mm (23 5/8 in). Adjustable 300-360mm (11 13/16—14 11/64)
- **B9692**—Long stud 600mm (23 5/8 in). Adjustable 300-560mm (11 13/16—22 3/64)

Ancillaries available to suit the HD Beams:

- **B5104**—HD Mounting Plate
- **B9306**—HD Clamp

Standards

Constructed to:

- BS8000-4: Workmanship on building sites. Code of practice for waterproofing.
- BS6229: Code of practice for flat roofs with continuously supported coverings.
- Building Regulations (E & W) Part L: Conservation of Fuel and Power.
- BS EN 1850-1: Determination of visible defects.
- BS EN 1107-1: Flexible sheets for waterproofing. Determination of dimensional stability.
- Plastic Foot: Nylon 6 B601L 30% glass fibre filled

Design Considerations

Foot Pressure & UDL (Roof Load):

Allowable foot pressure and roof load will be subject to roof build-up, typically detailed by a structural engineer. Big Foot Systems work to a maximum foot pressure and UDL of 20kN/m² and 7.5kN/m² respectively.

Design Load:

The design load is based on the maximum allowable deflection on the HD beam crossbar in addition to the allowable foot pressure stated above. The design load per HD beam variation corresponds to the foot size:

HD beam 305mm (12 1/64inches) feet has a maximum design load of 500kg (1102lbs), HD beam 450mm (17 23/32inches) is rated at 1000kg (2205kg) and HD beam 600mm (23 5/8 inches) is rated at 1500kg (3307lbs).

Wind Loading:

Design dependent, suitable for wind exposed environments; up to wind speeds of 100mph.

Roof Surface:

Suitable for any roof surface including but not limited to PVC membrane, mastic asphalt, insulation and concrete roof finishes.

Working Conditions:

Suitable for internal or external applications in temperatures between -40°C to +80°C.

Marine Environment:

Salt mist test conducted in accordance with ASTM B117-11 to simulate an accelerated environmental test. The results validate the 10 year product guarantee issued by Big Foot Systems.

Where to buy:

Available to buy off the shelf from any partner wholesalers across the country. The link below provides the location of every wholesalers in the UK. www.bigfootsupport.com/distributors

Options

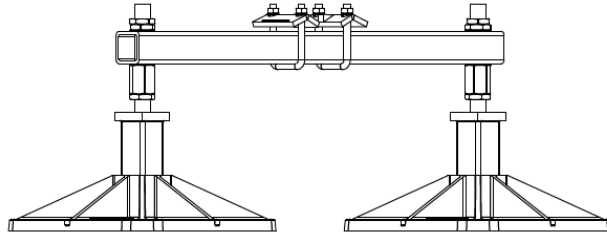
Foot Fleeces:

Recommended for use on PVC membrane and asphalt roof surfaces to prevent migration of plasticizers. B9156—305mm (12 1/64inches); B9157—450mm (17 23/32inches); B9415—600mm (23 5/8 inches).

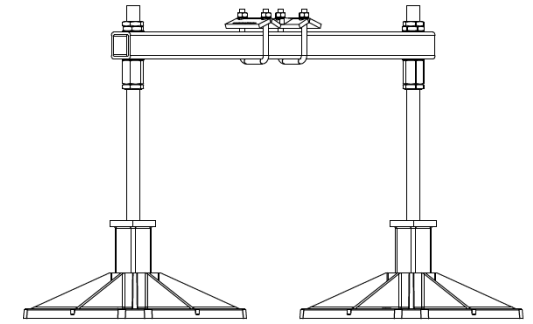
Angled Mats:

2.5 and 5 degrees angled mats available for 305mm and 450mm feet only, for use on roof fall up to 6 degrees. B9091—2.5° 305; B9092—5.0° 305; B9093—2.5° 450; B9094—5.0° 450 feet.

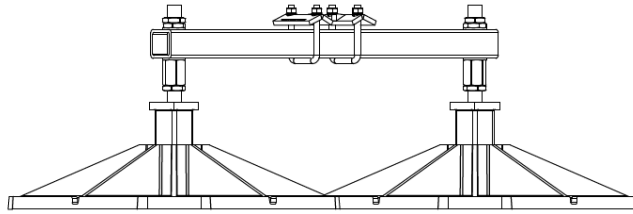
| B9722 - HD Beam 360/305 | | |
|-------------------------|--------|---------------------|
| Length | mm | 1066 |
| | Inches | 41 31/32 |
| Width | mm | 330 |
| | Inches | 12 63/64 |
| Height | mm | 300 - 360 |
| | Inches | 11 13/16 - 14 11/64 |
| Frame Weight | kg | 16 |
| | lbs | 35 |



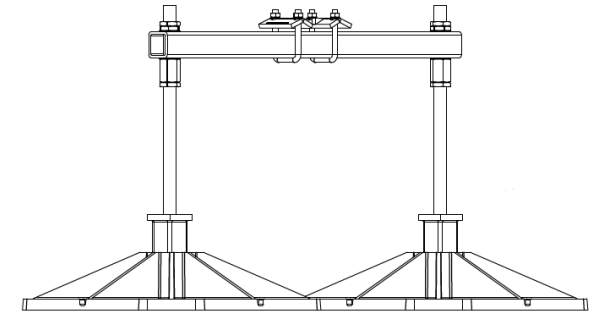
| B9723 - HD Beam 560/305 | | |
|-------------------------|--------|--------------------|
| Length | mm | 1066 |
| | Inches | 41 31/32 |
| Width | mm | 330 |
| | Inches | 12 63/64 |
| Height | mm | 300 - 560 |
| | Inches | 11 13/16 - 22 3/64 |
| Frame Weight | kg | 18 |
| | lbs | 40 |



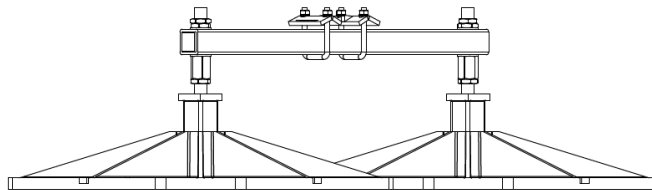
| B9423 - HD Beam 360/450 | | |
|-------------------------|--------|---------------------|
| Length | mm | 1222 |
| | Inches | 48 7/64 |
| Width | mm | 486 |
| | Inches | 19 9/64 |
| Height | mm | 300 - 360 |
| | Inches | 11 13/16 - 14 11/64 |
| Frame Weight | kg | 23 |
| | lbs | 51 |



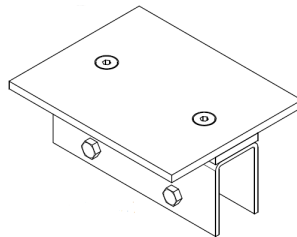
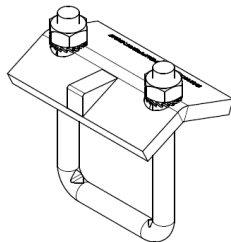
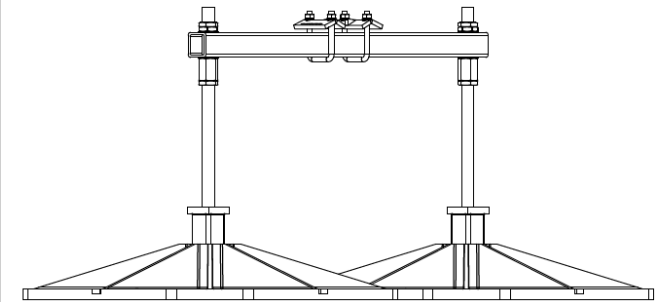
| B9690 - HD Beam 560/450 | | |
|-------------------------|--------|--------------------|
| Length | mm | 1222 |
| | Inches | 48 7/64 |
| Width | mm | 486 |
| | Inches | 19 9/64 |
| Height | mm | 300 - 560 |
| | Inches | 11 13/16 - 22 3/64 |
| Frame Weight | kg | 25 |
| | lbs | 55 |



| B9373 - HD Beam 360/600 | | |
|-------------------------|--------|---------------------|
| Length | mm | 1378 |
| | Inches | 54 1/4 |
| Width | mm | 642 |
| | Inches | 25 9/32 |
| Height | mm | 300 - 360 |
| | Inches | 11 13/16 - 14 11/64 |
| Frame Weight | kg | 33 |
| | lbs | 73 |



| B9692 - HD Beam 560/600 | | |
|-------------------------|--------|--------------------|
| Length | mm | 1378 |
| | Inches | 54 1/4 |
| Width | mm | 642 |
| | Inches | 25 9/32 |
| Height | mm | 300 - 560 |
| | Inches | 11 13/16 - 22 3/64 |
| Frame Weight | kg | 35 |
| | lbs | 77 |



Ancillaries available include: **B9306—HD Clamp**; 2no clamps are included per HD Beam. **B5104—HD mounting plate**; available as a add-on if required.

Installation and application considerations should include health, safety and environmental needs, regulations and standards, codes of practice, climate conditions, installation location, product orientation, evaluation of the roof structure, composition, surface and condition, ancillary and complimentary products and materials. Big Foot Systems recommend that all rooftop products are handled and installed by suitably qualified persons. All scheme designs are based on the use of Big Foot Systems' products and materials only.
Terms and conditions available on request

TITLE:
HD Beam Product Specification Sheet

DWG No.
BFT-HDB.dwg

THIS DRAWING IS COPYRIGHT AND THE PROPERTY OF BIG FOOT SYSTEMS LIMITED

